

# Expanding Your PARTNER® Advanced Communications System

This document provides instructions for adding or replacing modules in your existing system. The modules you may add include:

- T1 (For use with PARTNER ACS Release 6.0 or later only)
- 1600 DSL (For use with PARTNER ACS Release 4.0 or later only)
- 308EC (For use with PARTNER ACS Release 2.0 or later only)
- 012E (For use with PARTNER ACS Release 5.0 or later only)
- PARTNER Messaging Release 1.0, 6.0, or 7.0
- PARTNER MAIL VS (PMVS)
- 400E, 400EC
- 200E
- 206, 206E, 206EC

***The instructions also apply to previous models of PARTNER, including the PARTNER, PARTNER PLUS, and PARTNER II Communications Systems. Please note the illustrations are examples only. Your system may look different.***

## Important Safety Instructions - SAVE THESE INSTRUCTIONS

---

### **WARNING:**

*The following list provides basic safety precautions that should always be followed when using your telephone equipment:*

1. Read and understand all instructions.
2. Follow all warnings and instructions marked on the equipment.
3. Unplug all telephone connections before cleaning. DO NOT use liquid cleaners or aerosol cleaners. Use a damp cloth for cleaning.
4. The product should be serviced by (or taken to) a qualified repair center when service or repair work is required.
5. DO NOT use the product near water, for example, a wet basement location.
6. Never push objects of any kind into the slots or openings as they may touch dangerous voltage points or short out parts that could result in a risk of fire or electric shock. Never spill liquid of any kind on the equipment; doing so may result in serious damage to the components.
7. DO NOT use the telephone to report a gas leak in the vicinity of the leak.
8. The telephone equipment is provided with a three-wire grounding type plug. This is a safety feature. DO NOT defeat the safety purpose of the grounding type plug. DO NOT staple or otherwise attach the power supply cord to building surfaces.

### **CAUTION:**

*DO NOT block or cover the ventilation slots and openings. They prevent the product from overheating. DO NOT place the equipment in a separate enclosure unless proper ventilation is provided.*

## Additional Safety Instructions for Installation Personnel

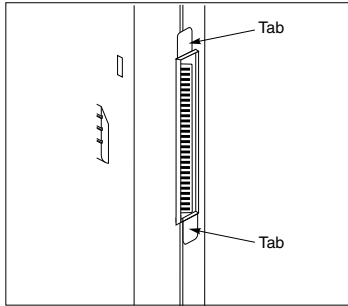
---

1. Install the equipment to meet all the environmental and electrical requirements listed in the documentation that came with your system.
2. DO NOT install equipment during a lightning storm.
3. DO NOT install telephone jacks in a wet location unless the jack is specifically designed for wet locations.
4. Never touch uninsulated telephone wires or terminals unless the telephone line has been disconnected at the network interface.
5. Use caution when installing or modifying telephone lines.
6. The control unit must be securely wall mounted.

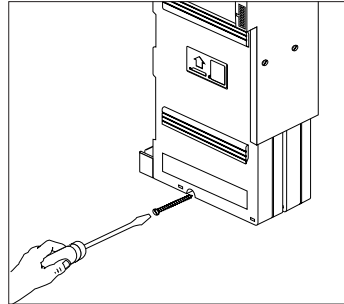


# Using a 2-Slot Carrier

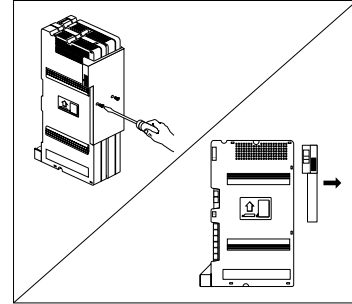
**IMPORTANT:** The processor module must already be mounted on the wall. If it is not, refer to the documentation that came with your system.



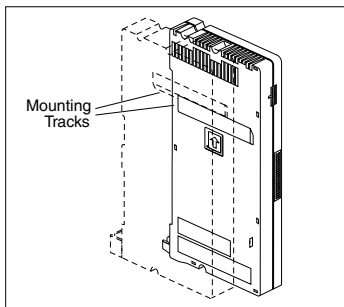
- 1** **A)** Remove the clear, plastic protector from the connector on the rear of the new module (and the processor module if you are upgrading from a stand-alone system) by grasping the tabs and lifting.



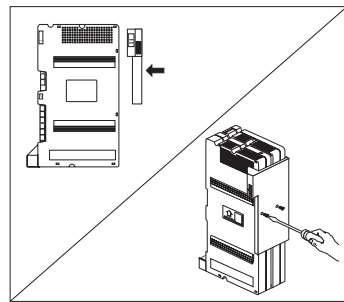
- 2** **A)** Before starting, remove the power cord from the wall outlet.  
**B)** Remove the screw from the bottom of the wall-mounted module or modules.  
**C)** If you are upgrading an existing stand-alone system, skip to Step 4B.



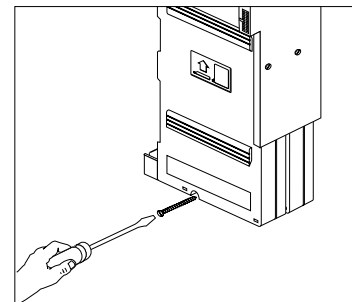
- 3** If you are replacing the second module in a 2-Slot Carrier, remove the two screws holding the carrier in place and gently pull the carrier off the modules.



- 4** **A)** Slide the second module off the processor module and put it aside.  
**B)** Slide the new module onto the processor module, making sure the mounting tracks interlock.



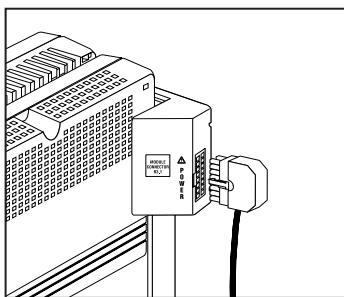
- 5** Attach the 2-Slot Carrier to the top right side of the two modules:  
**A)** Align the carrier carefully and then push firmly until the connectors on the modules snap into the carrier.  
**B)** Fasten the carrier to the modules using the two #4 screws included with the carrier.



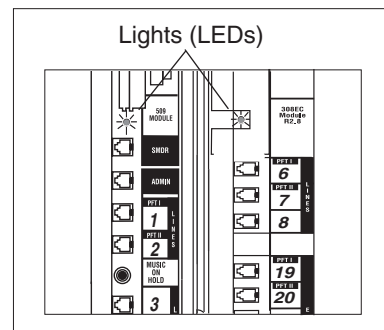
- 6** Re-insert the screw into the bottom of the modules. Tighten it until the processor module is flush against the wall. Do not overtighten or the module will warp.

**CAUTION:**

*Do not force the module. If the module does not insert easily, remove it, clear any obstruction, and reinsert it.*



- 7** **A)** Label the line and extension jacks.  
**B)** Connect the line and telephone cords to the appropriate jacks on the new module.  
**C)** Route each cord through the hook on the front of its module.  
**D)** Connect the free end of each line cord to the appropriate network interface jack.  
**E)** Connect the free end of each telephone cord to the modular connecting blocks for system extensions.  
**F)** Gather the line and extension cords hanging below the hook and twist tie or wire wrap them.

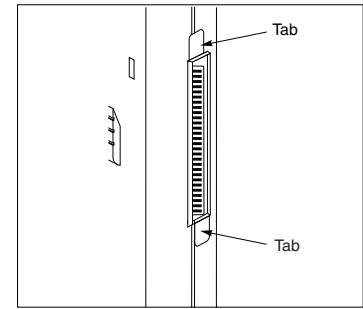
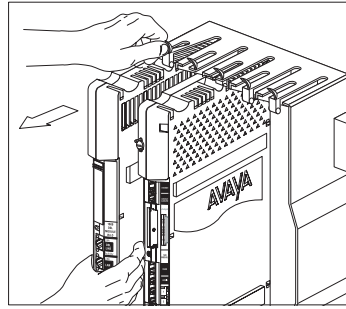
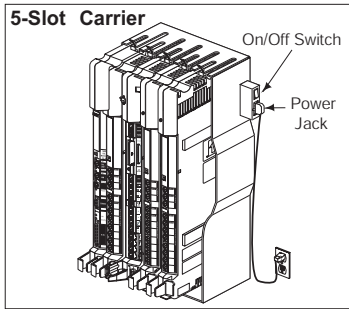


- 8** Press the power cord firmly into the power jack on the carrier. Plug the other end of the power cord into a properly grounded three-prong wall outlet not controlled by a switch.

- 9** Check the green lights on the fronts of the modules:  
**A)** If a single light is out, power down the carrier, reset the module, and then power up the carrier.  
**B)** If both green lights are out, power down the carrier, reset both modules, and then power up the carrier.  
**C)** If the lights are still out or red, see the Customer Support Document on the accompanying compact disc for information about whom you should contact.

# Using a 5-Slot Carrier

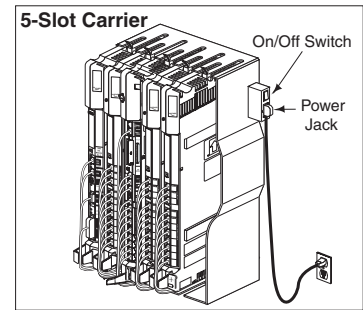
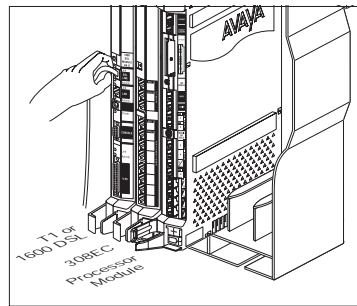
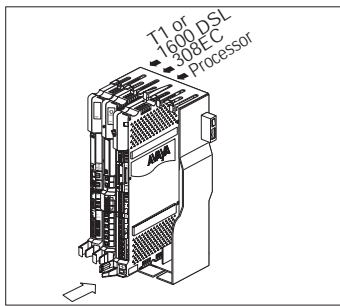
**IMPORTANT:** The 5-slot carrier and the processor module must already be mounted on the wall. If it is not, refer to the documentation that came with your system.



- 1 A)** Move the carrier's On/Off switch to "Off," and unplug the power cord from the wall outlet.
- B)** To remove the cover on Release 3.0 or earlier systems, loosen the screw on the lower front of the cover.
- C)** Place one hand on the handle on the bottom front of the cover, and place your other hand on the top of the cover. Gently pull the cover up and away from the carrier.

- 2** If you are removing an existing module, see if there is enough slack to remove the module without pulling the line and extension cords free. If necessary, label and disconnect the cords. Then, grab the center of the module with one hand. With the other hand, push up on the plastic tab at the top of the slot on the carrier and pull out the old module.

- 3** Before installing any modules, remove the clear, plastic protector from the connector on the rear side of the module by grasping the tabs and lifting.



- 4 A)** Verify that the processor module is in the center slot of the carrier. In the other slots, from left to right, install modules in this order: T1 or 1600 DSL, 308EC(s), 012E, 206(s), then 400(s) or 200(s).

**NOTE:** If you intend to use the FAX CNG Detection feature (with ACS), for optimal performance, insert the 308EC R3.0 module to the left of any 308EC module prior to R3.0.

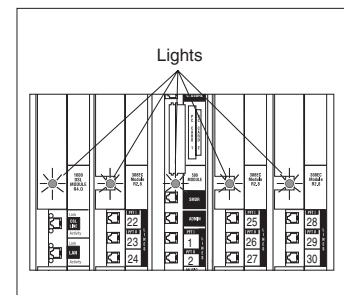
- B)** Align the module carefully in the appropriate slot. On a Release 4 carrier, lift the plastic latch on the top of the carrier. Push slowly but firmly in the center of the module until the connectors on the module lock into place and the module is attached to the rear of the carrier. On a Release 4 carrier, check that the plastic latch on top of the carrier is secured in the rounded slot on top of the module (See CAUTION on the last page.)

## CAUTION:

Do not force the module. If the module does not insert easily, remove it, clear any obstruction, and reinsert it.

- 5 A)** Label the line and extension jacks.
- B)** Connect the line and telephone cords to the appropriate jacks on the new module.
- C)** Route each cord through the hook on the front of its module.
- D)** Connect the free end of each line cord to the appropriate network interface jack.
- E)** Connect the free end of each telephone cord to the modular connecting blocks for system extensions.
- F)** Gather the line and extension cords hanging below the hook and twist tie or wire wrap them.
- G)** Place the bundle of wires in the indentation on the bottom of the carrier.

- 6 A)** Plug the power cord into a properly grounded three-prong wall outlet not controlled by a switch.
- B)** Power up the control unit by moving the On/Off switch to the "On" position.



- 7** Check the green lights on the fronts of the modules:
  - A)** If a single light is out, power down the carrier, reset the module, and then power up the carrier.
  - B)** If multiple green lights are out, power down the carrier, reset the leftmost module that has a light out, and then power up the carrier.
  - C)** If the lights are still out or red, see the Customer Support Document on the accompanying compact disc for information about whom you should contact.

# CAUTION

---

The plastic latches on top of the PARTNER 5-Slot Carrier **must** be secured properly on all Modules. Make sure the plastic latches are completely down and the round nubs are snapped in place (Figure A).

Failure to properly secure the plastic latches will result in loss of power to the Modules (Figure B).

